

PT - 25 SERVO PAN TILT



The PT-25 Servo Pan Tilt is a post head design on which the payload can be perfectly balanced on the horizontal and vertical centers of gravity. The head can be fitted to a number of standard tripod, post, or desk mountings; or may be inverted for suspension from the ceiling. The WM-BKT is also available for wall mounting.

The head is designed for camera / lens payloads up to 25lbs., and its compact design makes the product ideal for use in tight spaces. Its rigid mechanical design allows the high gain servos to dampen out any oscillation or overshoot on preset recall.

The head is designed to be used with a Canon or Fujinon teleconferencing type lens, and this eliminates the need for bolt-on after market lens drives.

Broadcast Robotics Engineered For Quality And Affordability

- 25LB (11.34KG) Payload Capacity
- Studio Silent Operation
- Small Profile
- Broadcast Quality Movements
- Coordinated On Arrival Preset Movements Of Pan, Tilt, Zoom, and Focus
- Designed For House Of Worship, Legislative Broadcast, and Distance Learning Applications

Frezzi Energy Systems
7 Valley Street
Hawthorne, NJ 07506

office: (973) 427-1160 fax: (973) 427-4949

email: robotics@frezzi.com web: <http://www.frezzi.com/robotics.htm>

PT - 25

DIMENSIONS (HWD)

6 7/16" x 5 3/8" x 5 1/4" (16.4 cm x 13.7 cm x 13.4 cm)

WEIGHT

10 lbs. (4.54 kg)

POWER

2.5A @ 24 VDC

ENCLOSURE

Metal with black enamel and black anodized matte finish

PRESETS

Up to 32 presets for pan, tilt, zoom, focus and iris axes

SERVO MOTOR LENS CONTROL

Supports positional and speed modes

ANGULAR TRAVEL

- Pan: +/- 177 degrees (354 degrees total)
- Tilt: +/- 90 degrees (180 degrees total)

ENVIRONMENTAL

32 F to 120 F (0C to 48.8 C) ambient operating temperature range

SPEED

- Pan: 35 deg/sec
- Tilt: 35 deg/sec

REPEATABILITY

+/- 3 arc minutes

CONNECTORS

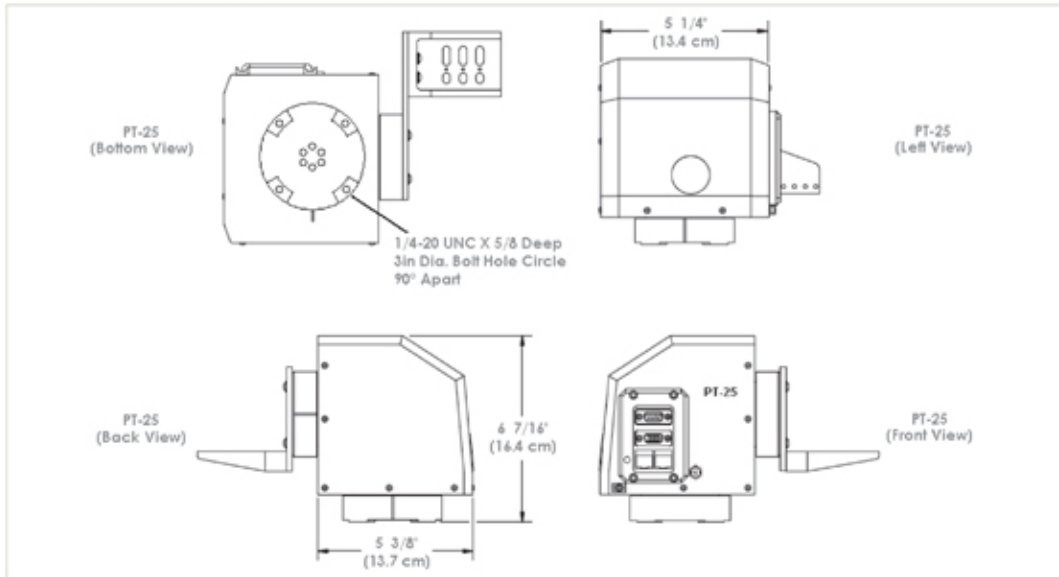
- DB-9 for RS-232 camera control
- HD-15 for lens control
- Barrel Jack for power and ground
- RJ-45 for RS-485/422

OPTIONAL ACCESSORIES

- PM-8 Pedestal Mount Adapter 8in high
- WM-BKT Wall Mount Bracket
- MMA Mitchell Mount Adapter for Tripods

POWER SUPPLY

24 volt DC power supply



System Configuration

