

MULTICONTROLLER *Elite*

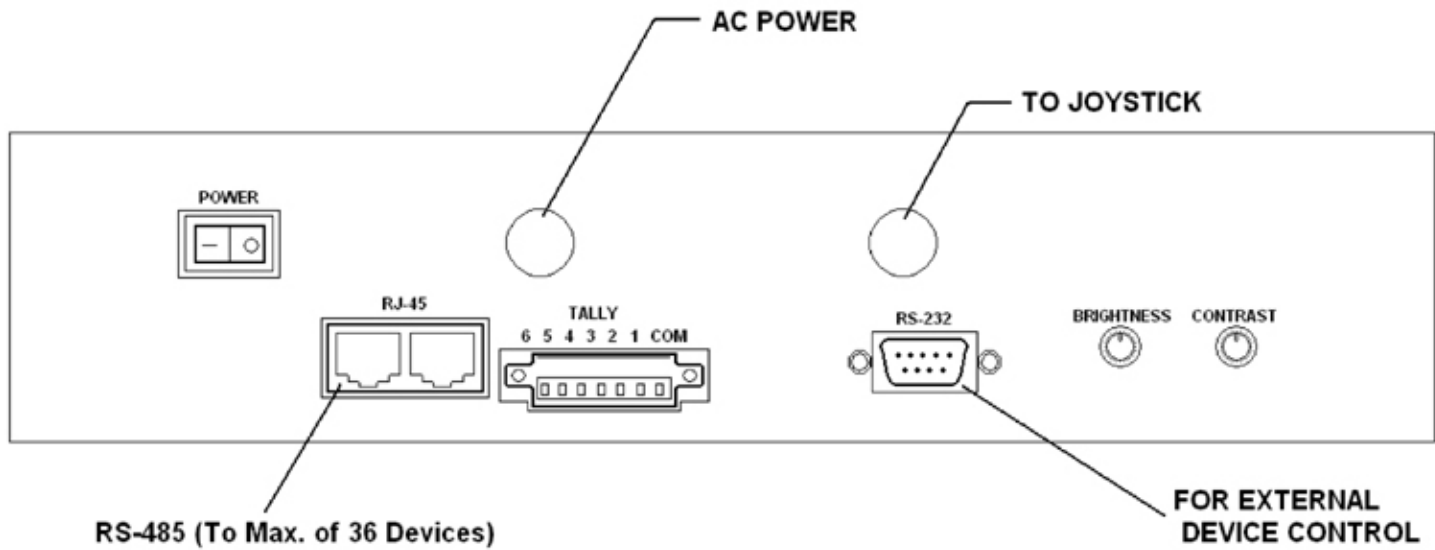


Why Choose Multicontroller Elite?

- Plug and play intuitive operation controller, Pan, Tilt, Zoom, Focus work "Out Of The Box" with a CANON or FUJINON teleconferencing type lens for quick error free installation
- Six "On-Air" tally contact closures
- RS-485 communication allows MULTICONTROLLER ELITE to communicate with up to 36 cameras on a single daisy chained RJ-45 network connection up to 3,000 feet of network length
- Desk top mount with right or left hand standard joystick control of Pan/Tilt heads
- 32 presets per camera
- Preset names can be text edited on screen
- Convenient RJ-45 network connections
- 5.5inch (14 cm) LCD display with backlight and contrast adjustments
- Pan & Tilt joystick directions, speed and acceleration can be set for operator preference
- Rotary encoded focus control knob allows you to adjust the lens focal points for sharpness and definition. The knob incorporates a drag mechanism for more precise control of the lens focus
- Iris control knob can be adjusted for the proper gain to maintain a constant video level
- Software set Pan & Tilt end stops
- Supports paint functions for popular cameras

MULTICONTROLLER *Elite*

Multicontroller Backpanel



System Configuration

