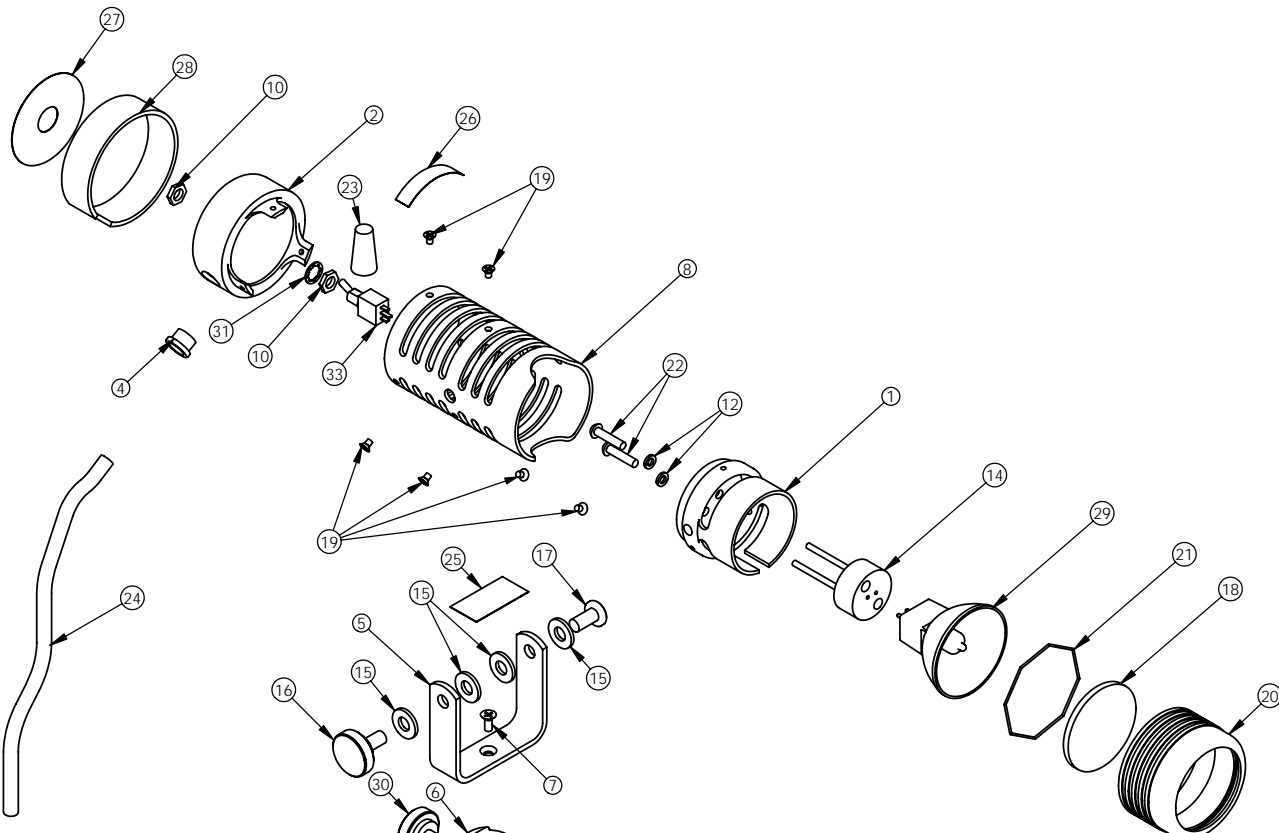
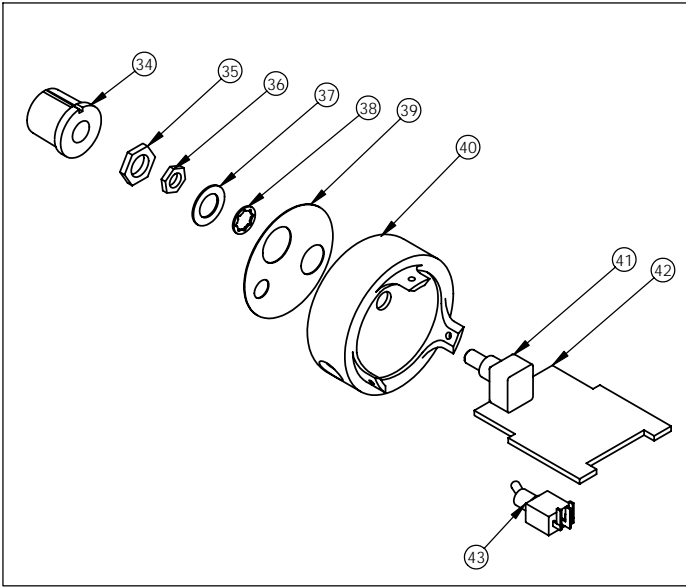


THE INFORMATION CONTAINED IN THIS DRAWING IS THE SOLE PROPERTY OF FREZZONI ELECTRONICS INC. ANY REPRODUCTION IN PART OR WHOLE WITHOUT THE WRITTEN PERMISSION OF FREZZONI ELECTRONICS INC. IS PROHIBITED.

REV.		DESCRIPTION	DATE	APPROVED
1		ADD DIMMER PARTS	1/25/00	KC



(CABLE ONLY)
PLEASE SPECIFY
CONNECTOR TYPE



MICRO-FILL ON-OFF

ITEM NO.	QTY.	DESCRIPTION	P/N	PRICE
1	1	3479 RA RING, SOCKET HOLDER	3479	\$15.00
2	1	3372 RA, CAP REAR	3372	\$20.00
4	1	3467 BUSHING, PLASTIC	3467	\$2.00
5	1	3374 RA, U-BRACKET MICRO FILL	3374	\$8.00
6	1	3377 RA, MOUNTING BLOCK	3377	\$24.00
7	1	FLAT HEAD 4-40 X .25	3494	\$0.50
8	1	3480 RA BODY	3480	\$20.00
10	2	NUT, SWITCH	W/ SWITCH	
11	1	SHOE MOUNT	MS-21A	\$30.00
12	2	WASHER, SPLIT, #4	2757	\$0.50
13	1	1 4 - 20 STUD X .75	MS-1A	\$25.00
14	1	3388 SOCKET	3388	\$4.50
15	4	3456 WASHER, #10	3456	\$0.50
16	1	3715 KNOB, ASSY U-BKT	3715	\$2.50
17	1	3455 PAN HEAD #10 X .375	3455	\$0.50
18	1	3378 GLASS, FRONT	3378	\$9.50
19	6	2384 FLAT HEAD #2 X .125	2384	\$1.50
20	1	3371 FRONT CAP	3371	\$20.00
21	1	3572 SPRING, GLASS	3572	\$4.50
22	2	2063 PAN HEAD 4-40 X .5	2063	\$0.50
23	1	1406 WIRENUT	1406	\$1.00
24	1	2047 CABLE	2047	\$3.00
25	1	LABEL, ITEM-MOD.-SER.NO	N/A	
26	1	2978 LABEL, WARNING	2978	\$3.00
27	1	3492 LABEL, REAR	3492	\$5.00
28	1	3499 GRIP, RUBBER	3499	\$5.00
29	1	BULB 35W LAMP	97011	\$20.00
30	1	3714 KNOB ASSY, SOCKET	3714	\$2.50
31	1	WASHER, INT TOOTH SWITCH	W/ SWITCH	
33	1	3127 SWITCH, TINY TOG	3127	\$8.00

DIMMER MICRO-FILL

Dimmer Micro-Fill uses same parts as Micro-Fill ON/OFF except for the rear cap assembly.

ITEM NO.	QTY.	DESCRIPTION	P/N	PRICE
41	1	POT1	3518	\$12.50
40	1	3519 RA, CAP REAR MICRO DIMMER	3519	\$20.00
34	1	knob, pot	3538	\$2.50
39	1	label, dimmer	3520	\$5.00
37	1	WASHER POT	W/ POT	
35	1	NUT POT	W/NUT	
38	1	WASHER, INT TOOTH SWITCH	W/ SWITCH	
36	1	NUT, SWITCH	W/ SWITCH	
42	1	PCB	3515-2 *	\$150.00
43	1	3516 SWITCH, TINY TOG, RIGHT ANG	3516	\$8.00

* PCB 3515-2 IS FULLY ASSEMBLED PCB WITH SWITCH P/N 3516 AND POT P/N 3518 INSTALLED.

ITEM NO.	PART OR IDENTIFYING NO.	NOMENCLATURE OR DESCRIPTION	MATERIAL SPECIFICATION	CITY BRG.
PARTS LIST				
UNLESS OTHERWISE SPECIFIED DIMENSIONS ARE IN INCHES FRACTIONS DECIMALS ANGLES		CAD GENERATED DRAWING. DO NOT MANUALLY UPDATE		
XXX.00 ± .01		APPROVALS	DATE	
XXXX.005		DRAWN	KC	6-29-04
MATERIAL		CHECKED		
FINISH		RESP. ENG.		
NEXT ASSY USED ON		MFG. ENG.		
APPLICATION		DUAL ENG.		
DO NOT SCALE DRAWING		ISS. C.	SWG. NO. MICRO-FILL QTY BA	REV. A
		SCALE	CAD FILE	SHEET 1 OF 1

Frezzi
MICRO-FILL SPARE PARTS